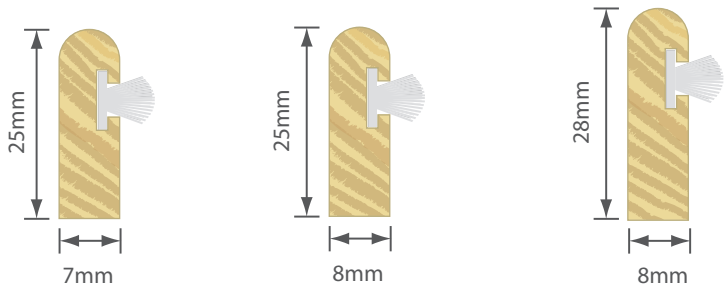


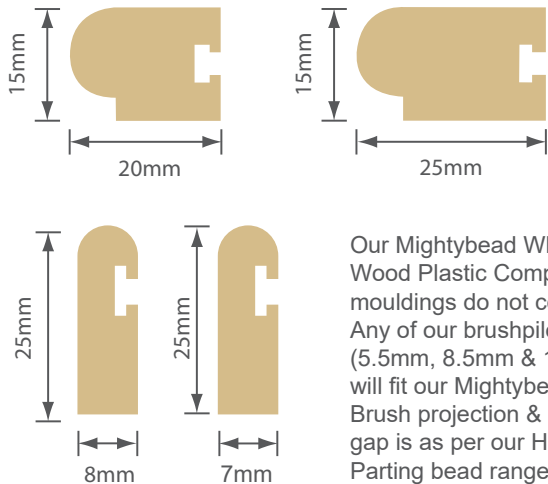
Mighton Products - Timber & WPC Bead - Brush Projection & Draughtproofing Dimensions

Heritage Parting Bead - Mighton Registered Design: 402 8318

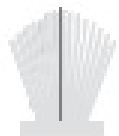


Heritage Staff & Parting Beads are fitted with 5.5mm Brushpile as standard. Brush projection is approximately 4mm. Once compressed, this is sufficient for draughtproofing gaps between the bead and the frame/sash of approx 2.5mm. It is possible to remove the brush and fit our 8.5mm brush (brush projection 6mm/gaps of up to 4.5mm) or 11.5mm brush (brush projection 10mm/gaps up to 8mm), however as removal and re-insertion can be time-consuming, we recommend you look at our Staff & Parting bead with carrier options first.

Mightybead WPC (Wood Plastic Composite) Staff & Parting Bead



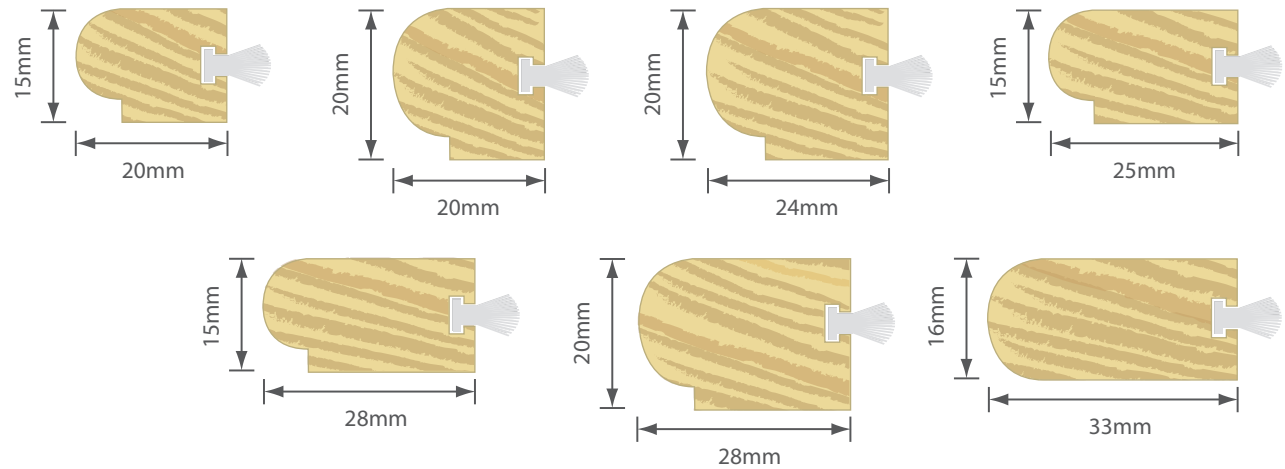
Our Mightybead WPC Wood Plastic Composite mouldings do not come with brush. Any of our brushpiles (5.5mm, 8.5mm & 11.5mm) will fit our Mightybead profiles. Brush projection & draughtproofing gap is as per our Heritage Staff & Parting bead range.



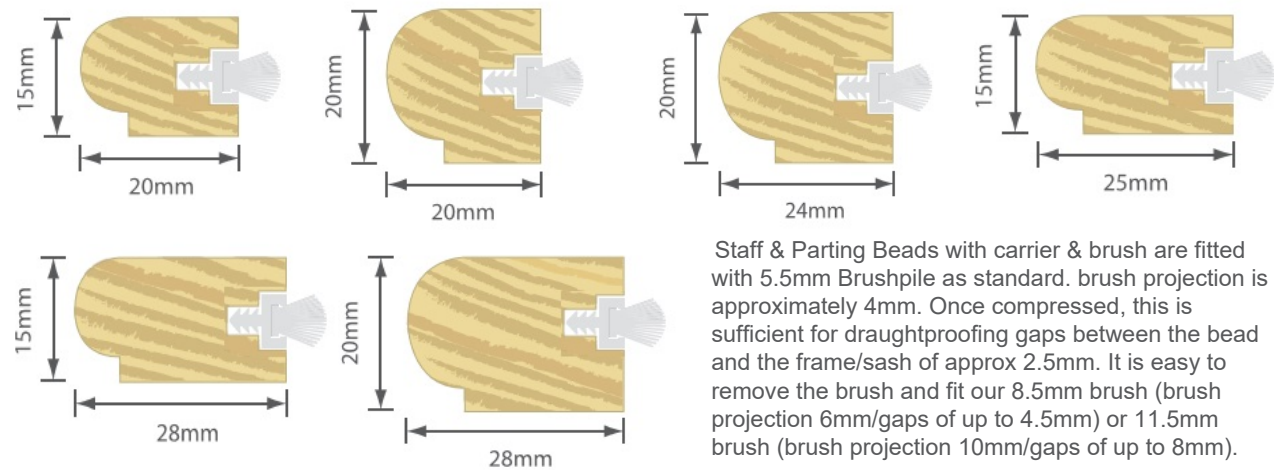
All of our brushpiles have an integral weathervane

A weathervane is a clear pvc central divider that limits water from getting through the brush from outside. Make sure you ask for it.

Heritage Staff Bead - Mighton Registered Design: 402 8318



Staff & Parting Bead With Carrier & Brush Fitted



Staff & Parting Beads with carrier & brush are fitted with 5.5mm Brushpile as standard. brush projection is approximately 4mm. Once compressed, this is sufficient for draughtproofing gaps between the bead and the frame/sash of approx 2.5mm. It is easy to remove the brush and fit our 8.5mm brush (brush projection 6mm/gaps of up to 4.5mm) or 11.5mm brush (brush projection 10mm/gaps of up to 8mm).

