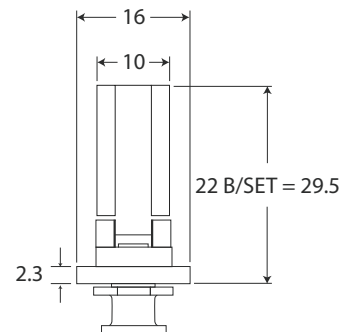
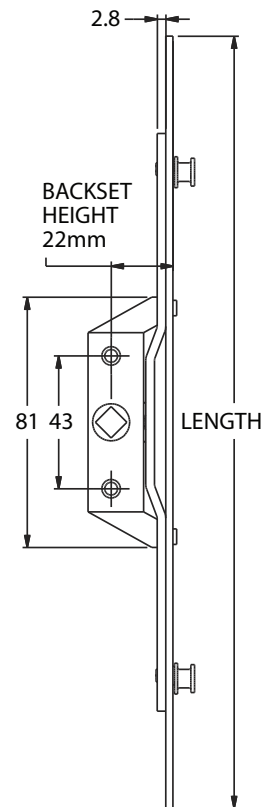
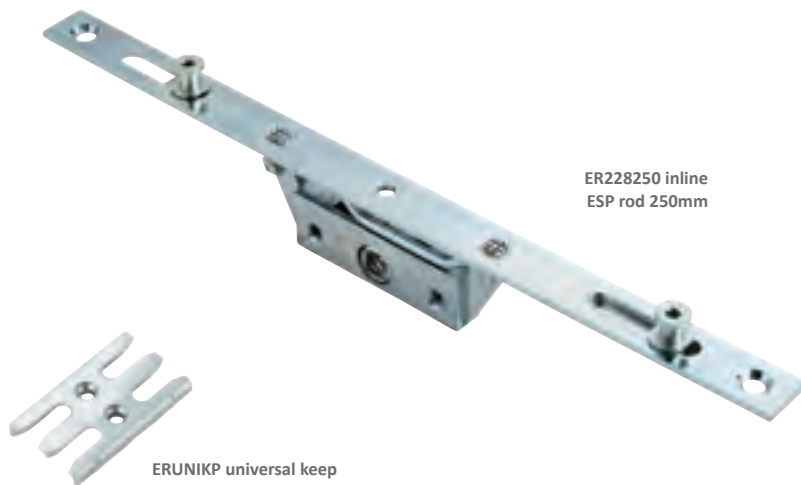


## ESPAGNOLETTE INLINE RODS AND KEEPS

- > trivalent silver finish
- > eccentric cams 8mm high
- > 22mm backset
- > universal keep available to suit major profiles
- > performance: endurance tested to 25,000 operations
- > corrosion resistance: meets requirements of BS EN 1670:1998, grade 3
- > all metal components: steel C1008
- > gearbox body: zinc BS1004A
- > coating details: steel components – trivalent plated 20-25 microns coating thickness



CODE	DESCRIPTION	LENGTH	CAMS
ER228250	inline ESP rod 22mm BS 8mm, silver	250mm	2
ER228400	inline ESP rod 22mm BS 8mm, silver	400mm	2
ER228600	inline ESP rod 22mm BS 8mm, silver	600mm	2
ER228800	inline ESP rod 22mm BS 8mm, silver	800mm	2
ER2281000	inline ESP rod 22mm BS 8mm, silver	1000mm	3
ER2281200	inline ESP rod 22mm BS 8mm, silver	1200mm	4
eRUNIKP	espagnolette rod keep universal*		

\* One keep required per cam



ONLINE CALCULATOR AVAILABLE