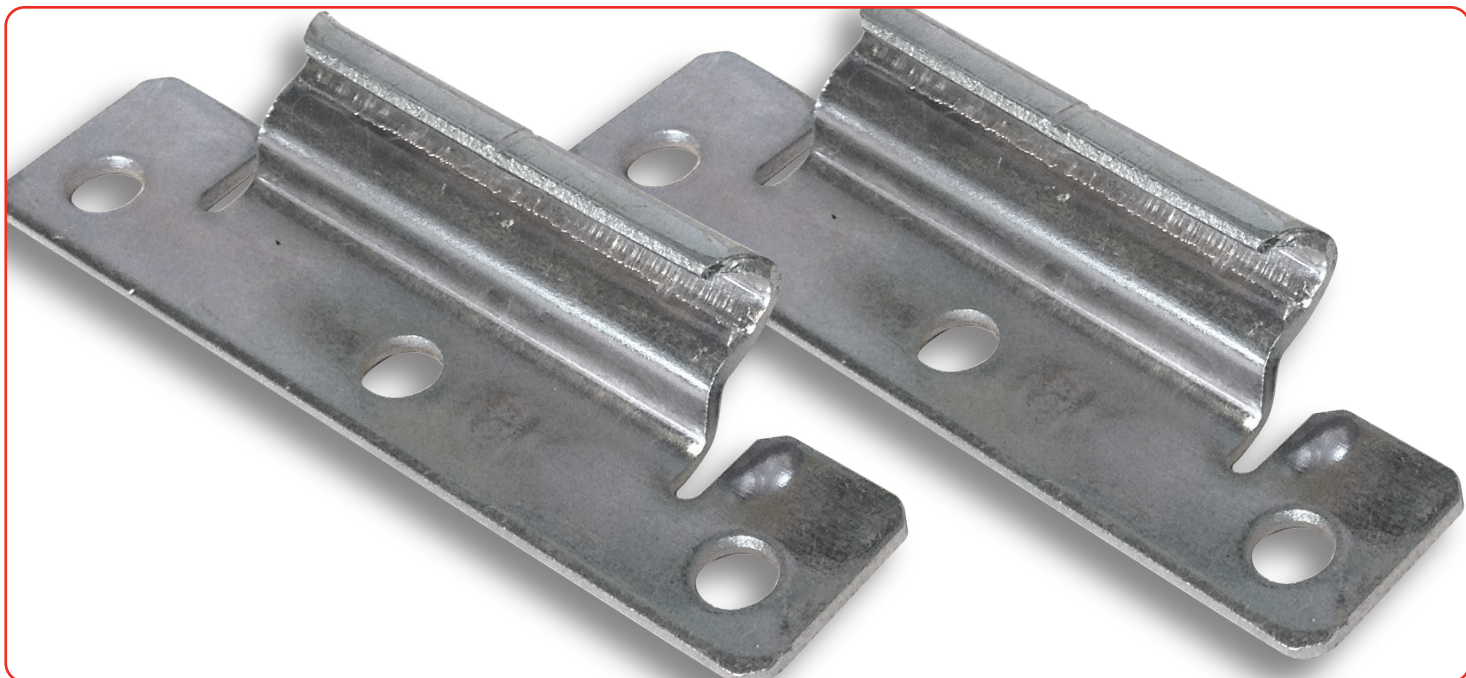
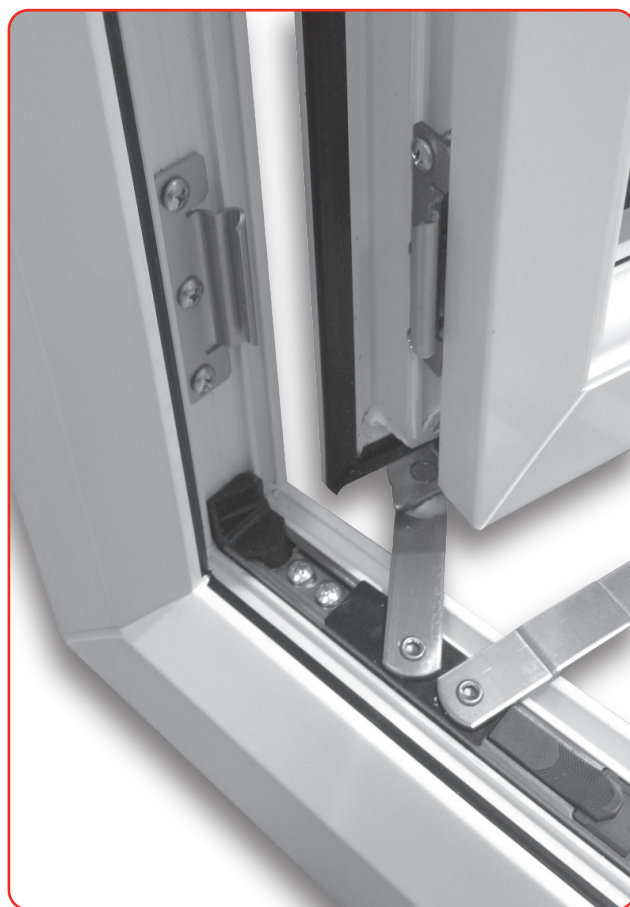


## Hingeguard Elite



### Features

- Ideal solution to the provision of extra security to the hinged side of the window
- Designed to only engage when the window is under attack, the twin security plates prevent disengagement by clamping together to support the hinge against jemmying
- Simple, easy to install and effective - the plates require no special drilling or routing and are secured with three screws
- Can be retro-fitted to enhance security to existing windows
- When used in conjunction with the appropriate hinge will meet the requirements of PAS 24:2012
- A pair of Hingeguard Elite's should be fitted to support each hinge and when secured into the windows reinforcement will provide maximum security
- Suitable for use with all ERA friction hinges
- Available in 13mm and 17mm stack heights to suit all major profiles
- Profile specific application drawings detailing fitting position available

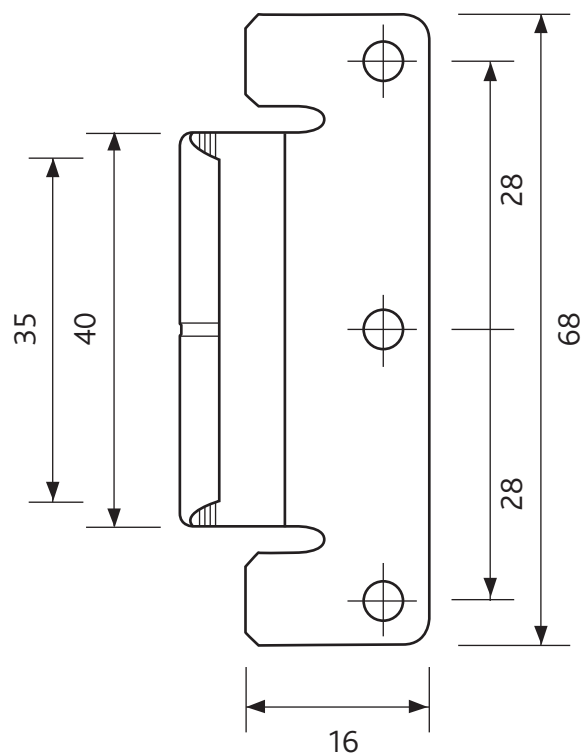


## Hingeguard Elite

Ordering Details		
Product	Stack Height	Part No.
Hingeguard	13mm	WAHGSG025
Hingeguard	17mm	WAHGSG036

Profile System		
Product	Stack Height	Part No.
Advance 70	17mm	WAHGSG036
Deceuninck Zendow 2500	17mm	WAHGSG036
Deceuninck Zendow 2800	17mm	WAHGSG036
Deceuninck Zendow 3000	17mm	WAHGSG036
Duraflex 65 & 70 Diamond Suite	13mm	WAHGSG025
Eurocell Logik 70	17mm	WAHGSG036
Halo Eclipse	17mm	WAHGSG036
Halo Esthetique	17mm	WAHGSG036
Halo Rustique	17mm	WAHGSG036
Halo System 10	17mm	WAHGSG036
Kommerling LC70	17mm	WAHGSG036
Legend 70	17mm	WAHGSG036
Linjar	17mm	WAHGSG036
Profile 22	13mm	WAHGSG025
Rehau 703 Tritec	17mm	WAHGSG036
Rehau 706	17mm	WAHGSG036
Sheerframe 6000	13mm	WAHGSG025
Sheerframe 7000	17mm	WAHGSG025
Sheerframe 8000	17mm	WAHGSG036
Shield 70	13mm	WAHGSG025
Spectus Elite 63mm	17mm	WAHGSG036
Spectus Elite 70mm	17mm	WAHGSG036
Swish 24/7	13mm	WAHGSG025
Synseal Synerjy	13mm	WAHGSG025
Veka 70	13mm	WAHGSG025
Veka 70 FS	13mm	WAHGSG025



Not to scale. All dimensions are in mm. WAHGSG036 version shown. WAHGSG025 is a 2 screw fix. ERA reserves the right to change specification without notice. It is the responsibility of the window manufacturer to ensure that the finished product meets any required safety and performance specification.

Technical Information	
<b>Corrosion resistance</b>	
Plated to BS EN 1670 Grade 3 (96 hours)	
<b>Operation</b>	
Tested to meet the requirements of PAS 24 when used in a compliant window set	
Material Specification	
Hingeguard:	Stainless Steel
Screw Specification:	Use 3 per plate. 4.8mm x 25mm carbon steel zinc coated pan head screws

Packaging
<b>Hingeguard:</b>
1 Hingeguard Elite per bag. Two required per hinge.
Four required per window. 1000 units per box

Maintenance
All moving parts should be lightly lubricated using a light non-acidic mineral oil (e.g. "3 in 1") twice per year and the surface cleaned with a soft damp cloth. The product may need to be adjusted and fixings tightened to ensure a satisfactory operation.